
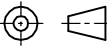


RELATED DOCUMENTS		3RD ANGLE PROJECTION		THIS DRAWING IS CONFIDENTIAL AND THE PROPERTY OF TURCK INC. USE OF THIS DOCUMENT WITHOUT WRITTEN PERMISSION IS PROHIBITED.		 3000 CAMPUS DRIVE MINNEAPOLIS, MN 55441 1-800-544-7769 (763) 553-7300 (763) 553-0708 fax www.turck.us	
1. 2. 3. 4.				DRFT	RDS	DATE	05/05/03
MATERIAL		ALUMINUM		DSGN		SCALE	1 = 1.0
FINISH		ALL DIMENSIONS DISPLAYED ON THIS DRAWING ARE FOR REFERENCE ONLY		UNIT OF MEASUREMENT		DESCRIPTION	
		CONTACT TURCK FOR MORE INFORMATION		INCH [ MILLIMETER ]		CA28E-Q21	
				DO NOT SCALE THIS DRAWING		IDENTIFICATION NO.	
						A0874	
						REV	
						A	
A DRAWING RELEASE		RDS 06/30/03		FILE: A0874		SHEET 1 OF 1	
REV	DESCRIPTION	BY	DATE	ECO NO.			

A	DRAWING RELEASE	RDS	06/30/03	
REV	DESCRIPTION	BY	DATE	ECO NO.